

Technical information for tapping collets ER-GB

ER-GB

		ER 11-GB	ER 16-GB	ER 20-GB	ER 25-GB	ER 32-GB	ER 40-GB	ER 50-GB									
		L = 18.0 L1 = 2.0 D1 = 11.3 D2 = 11.0	L = 27.5 L1 = 2.7 D1 = 16.8 D2 = 16.0	L = 31.5 L1 = 2.8 D1 = 20.8 D2 = 20.0	L = 34.0 L1 = 3.1 D1 = 25.8 D2 = 25.0	L = 40.0 L1 = 3.6 D1 = 32.8 D2 = 32.0	L = 46.0 L1 = 4.1 D1 = 40.8 D2 = 40.0	L = 60.0 L1 = 8.75 D1 = 51.8 D2 = 51.0									
		<i>x = not available</i> <i>-- = does not exist</i>															
d	SW	L2	L3	D3	L3	D3	L3	D3	L3	D3	L3	D3	L3	D3	L3	D3	
[mm]	[mm]	[mm]	[mm]	[mm]	[mm]	[mm]	[mm]	[mm]	[mm]	[mm]	[mm]	[mm]	[mm]	[mm]	[mm]	[mm]	
2.8	2.1	12	-	-	X	X	X	X	X	X	X	X	X	X	X	X	
3.5	2.7	14	-	-	X	X	X	X	X	X	X	X	X	X	X	X	
4	3	14	-	-	X	X	X	X	X	X	X	X	X	X	X	X	
4	3.15 / 3.2	ER 11=14 ER 16-32=15	-	-	4.8	7.5	9.8	9	11.8	12	17.8	15	X	X	X	X	
4.5	3.4	ER 11=14 ER 16-32=15	-	-	4.8	7.5	9.8	9	11.8	12	17.8	15	X	X	X	X	
5	4	ER 11=14 ER 16-32=18	-	-	4.8	7.5	9.8	9	11.8	12	17.8	15	X	X	X	X	
5.5	4.3	18	-	-	4.8	7.5	9.8	9	11.8	12	17.8	15	X	X	X	X	
5.5	4.5	18	-	-	4.8	7.5	9.8	9	11.8	12	17.8	15	X	X	X	X	
6	4.5	18	-	-	4.8	7.5	8.8	9	10.8	12	16.8	15	22.8	20	X	X	
6	4.9	ER 11=14 ER 16-40=18	-	-	4.8	7.5	8.8	9	10.8	12	16.8	15	22.8	20	X	X	
6.2	5	18	X	X	4.8	7.5	8.8	9	10.8	12	16.8	15	22.8	20	X	X	
6.3	5	18	X	X	4.8	7.5	8.8	9	10.8	12	16.8	15	22.8	20	X	X	
7	5.5	18	X	X	3.8	8.0	7.8	9	9.8	12	15.8	15	21.8	20	X	X	
7.1	5.6	18	X	X	3.8	8.0	7.8	9	9.8	12	15.8	15	21.8	20	X	X	
8	6.2 / 6.3	22	X	X	-	-	2.8	10	4.8	12	10.8	15	16.8	20	X	X	
8.5	6.5	22	X	X	-	-	2.8	10	4.8	12	10.8	15	16.8	20	X	X	
9	7 / 7.1	22	X	X	-	-	2.8	10	3.8	12	9.8	15	15.8	20	X	X	
10	8	25	X	X	X	X	-	-	-	-	6.8	15	12.8	20	X	X	
10.5	8	25	X	X	X	X	-	-	-	-	6.8	15	12.8	20	X	X	
11	9	25	X	X	X	X	-	-	-	-	5.8	15	11.8	20	X	X	
11.2	9	25	X	X	X	X	-	-	-	-	5.8	15	11.8	20	X	X	
12	9	25	X	X	X	X	-	-	-	-	5.8	15	11.8	20	X	X	
12.5	10	25	X	X	X	X	X	X	-	-	4.8	15	10.8	20	X	X	
14	11 / 11.2	25	X	X	X	X	X	X	-	-	3.8	17	9.8	20	X	X	
15	12	25	X	X	X	X	X	X	-	-	3.8	17	9.8	20	X	X	
16	12 / 12.5	25	X	X	X	X	X	X	-	-	2.8	18	8.8	20	X	X	
17	13	25	X	X	X	X	X	X	X	X	2.8	19.5	8.8	20	X	X	
18	14.5	25	X	X	X	X	X	X	X	X	2.8	21	7.8	21	X	X	
20	16	28	X	X	X	X	X	X	X	X	2.8	21.5	3.8	22	X	X	
22	18	ER 40=28 ER 50=41	X	X	X	X	X	X	X	X	-	-	3.8	24	X	X	
25	20	41	X	X	X	X	X	X	X	X	X	X	-	-	-	-	
28	22	41	X	X	X	X	X	X	X	X	X	X	X	X	-	-	
32	24	41	X	X	X	X	X	X	X	X	X	X	X	X	-	-	

Technical information for tapping collets PCM ET1

PCM ET1

ER MB

Type	Measurements [mm]							
	d	D1	D2	L	L1	L2	L3	L4
PCM ET1-12	3.55	7	11.5	18	16.5	2.5	5	5.5
PCM ET1-16	6.3	11	17	22	20	2.8	7	7
PCM ET1-20	7.1	14	21	24	23	2.8	8	7
PCM ET1-25	10	19	26	26	24	3	10	8
PCM ET1-32	12.5	23	33	33	32	3	1	10
PCM ET1-40	17	28	41	42	42	3	12	13

Expert advice

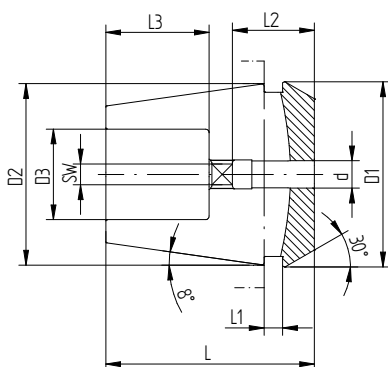
Do not use for coolant through tools and for applications with sealing disks.

Technical information for microbore collets

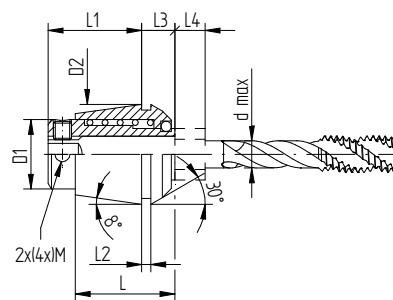
Type	Measurements [mm]									
	d	D1	D2	D3	D4	L	L1	L2	L3	L4
ER 8-MB	0.2-0.9	8.5	8	6.5	4	13.5	1.2	1.2	1.5	6
ER 11-MB	0.2-0.9	11.5	11	9.5	5	18	2	2	2.5	9
ER 16-MB	0.2-0.9	17	16	13.8	7.5	27.5	6.3	2.7	4	13

Expert advice

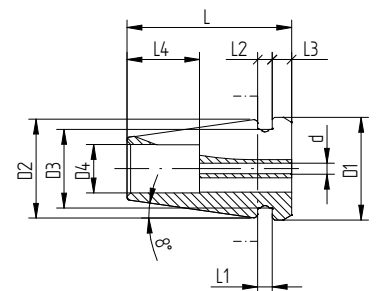
ER-MB collets have no clamping range. Only nominal diameters h7 can be clamped.



ER-GB, page 158



PCM ET1



ER-MB